

### Product Introduction 产品简介

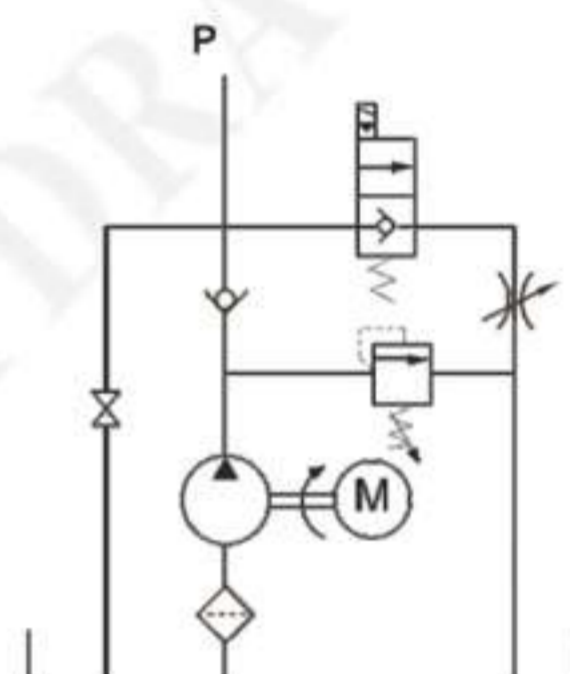
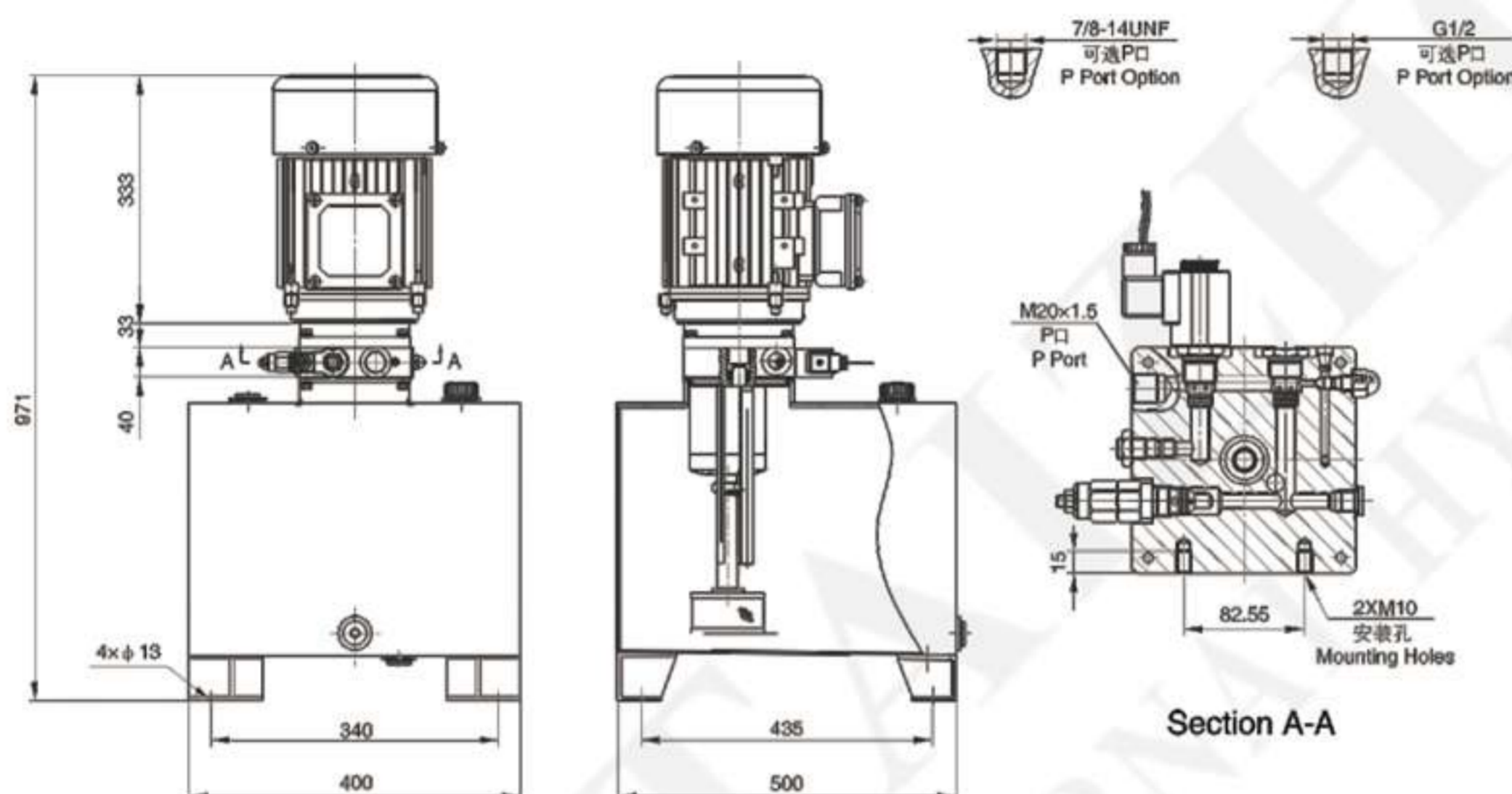
此液压动力单元专为大型升降平台设计,由高齿轮油泵、交流电机、多用集成块、液压阀、油箱等零部件有机结合为一体。升降平台的下降由电磁卸荷阀控制,下降速度由内置性平衡阀控制。

This power unit is designed exclusively for the large-lift table. Consisting of high pressure gear pump, AC motor, multi-functional manifold, valves, tank, etc. The lowering movement is activated by the solenoid valve and the speed controlled by the adjustable throttle valve.



### Outline Dimension 外形尺寸图

### Hydraulic Circuit Diagram 系统工作原理



### Model Specifications 型号规格说明

Model 型号	电机电压 Motor Volt	电机功率 Motor Power	额定转速 Rated Speed	油泵排量 Displacement	溢流阀压力 System Pressure	邮箱容量 Tank Capacity	电磁阀电压 Solenoid Valve Volt
LPU-E15P4J2/TKDAZ1	380VAC	4KW	1450RPM	15ml/r	16MPA	80L	12VDC
LPU-E15P4K2/TKDBZ1		5.5KW		15ml/r	16MPA		24VDC
LPU-E23P4K2/TKDDZ1		23ml/r		14MPA	110VAC		
LPU-D28P4K2/TKDEZ1		28ml/r		12MPA	220VAC		

说明: 1.如需不同流量的泵、压力、电机功率等系统参数,请查看液压动力单元型号说明或与销售联系。

Remark: 1. Please go to page 1 or consult our sales engineer for the different pump displacement, motor power or tank capacity.

### Special Notes 注意事项

- 1.此动力单元不可连续运转(1分钟ON,9分钟OFF),可重复工作。
- 2.安装前必须保证油缸、油管、接头等液压元件清洁无任何杂质粘附。
- 3.液压油粘度应为15~68CST,应清洁无杂质,推荐使用N46号液压油。
- 4.系统使用第一个100小时后,应更换液压油,以后每3000小时更换一次液压油。
- 5.本液压动力单元适用于立式安装。

- 1.The power unit is of S3 duty, which can only be worked intermittently, ie., 1minute on and 9 minutes off.
- 2.Clean all the hydraulic parts concerned before mounting the power unit.
- 3.Viscosity of the hydraulic oil should be 15~68 cst, which should also be clean and free of impurities.N46 hydraulic oil is recommended.
- 4.Oil changing is required after the initial 100 operation hours, afterwards once every 3000 hours.
- 5.The power unit should be mounted vertically.